



# Split-Lok™ Padlock



WIRE HASP PADLOCK SEAL

The Split-Lok™ is a self-locking, tamper indicating plastic seal with a unique hinge design.

## APPLICATIONS

- Electric Meters
- ATM Cassettes
- Tool Boxes
- Pouches
- Zippered Money Bags
- Carts

## FEATURES

- Body with thin central membrane splits if attacked or tampered
- Wire scored at center for ease of removal
- Wire ends retained in plastic body on removal

## MATERIAL

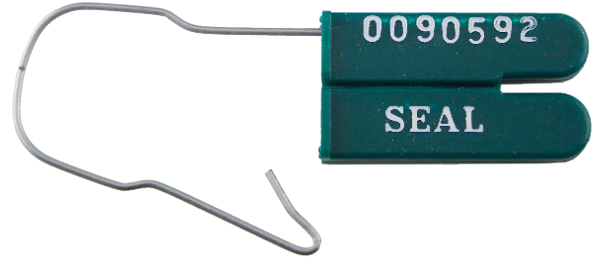
Body: Polypropylene w/ UV Inhibitor  
 Wire Hasp: .047" (1.2mm) diameter in galvanized or stainless steel.

## DIMENSIONS

1.54" (39mm) x 1" (25mm)

## MARKING/PRINTING

- Heat stamped with company name/logo and 7 digits



**ASIS 14**  
**accolades Winner** PEOPLE'S CHOICE AWARD FOR MOST INNOVATIVE PRODUCT

Seals shown not actual size.



ANGOLA, IN • ATLANTA, GA • TALLAPOOSA, GA • MARTLEY, UK • MEXICO CITY, MX • MONTERREY, MX • SUZHOU, CN

260.624.4800 • 800.344.4772 • [www.tydenbrooks.com](http://www.tydenbrooks.com) • [info@tydenbrooks.com](mailto:info@tydenbrooks.com)



# Split-Lok™ Padlock



## STANDARD COLORS

Red / Dk Blue / Blue / Dk Green / Green / White / Yellow / Orange / Pink / Purple / Grey / Black



## PACKAGING

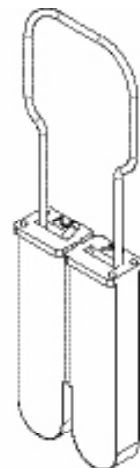
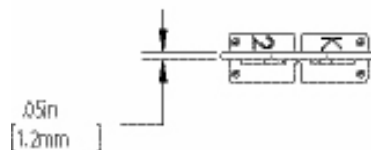
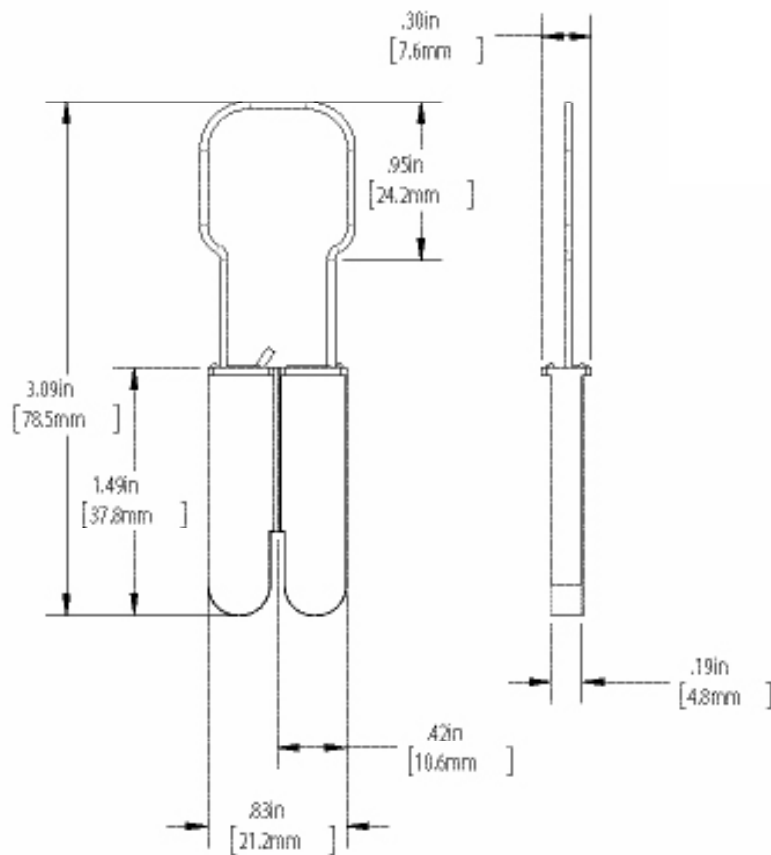
Standard Packaging: 1,000/Box – 5,000/Carton  
 Carton Dimensions: 41" x 14" x 11" (102.5cm x 35cm x 28cm)  
 Carton Weight: Gross: 58 lbs (26 kg)

Special Packaging:  
 100/Box - 2,500/Carton  
 100/Wire - 1,000/Box - 5,000/Carton  
 100/Wire - 1,000/Box - 2,500/Carton

## PRODUCT NUMBERS

- 6000000-X – .047" galvanized regular hasp
- 6000600-X – .047" galvanized Secur hasp
- 6050000-X – .047" stainless steel regular hasp
- 6051000-X – .047" stainless steel Secur hasp

Note: X denotes color selection



Split-Lok\_15V1



ANGOLA, IN • ATLANTA, GA • TALLAPOOSA, GA • MARTLEY, UK • MEXICO CITY, MX • MONTERREY, MX • SUZHOU, CN

260.624.4800 • 800.344.4772 • www.tydenbrooks.com • info@tydenbrooks.com

